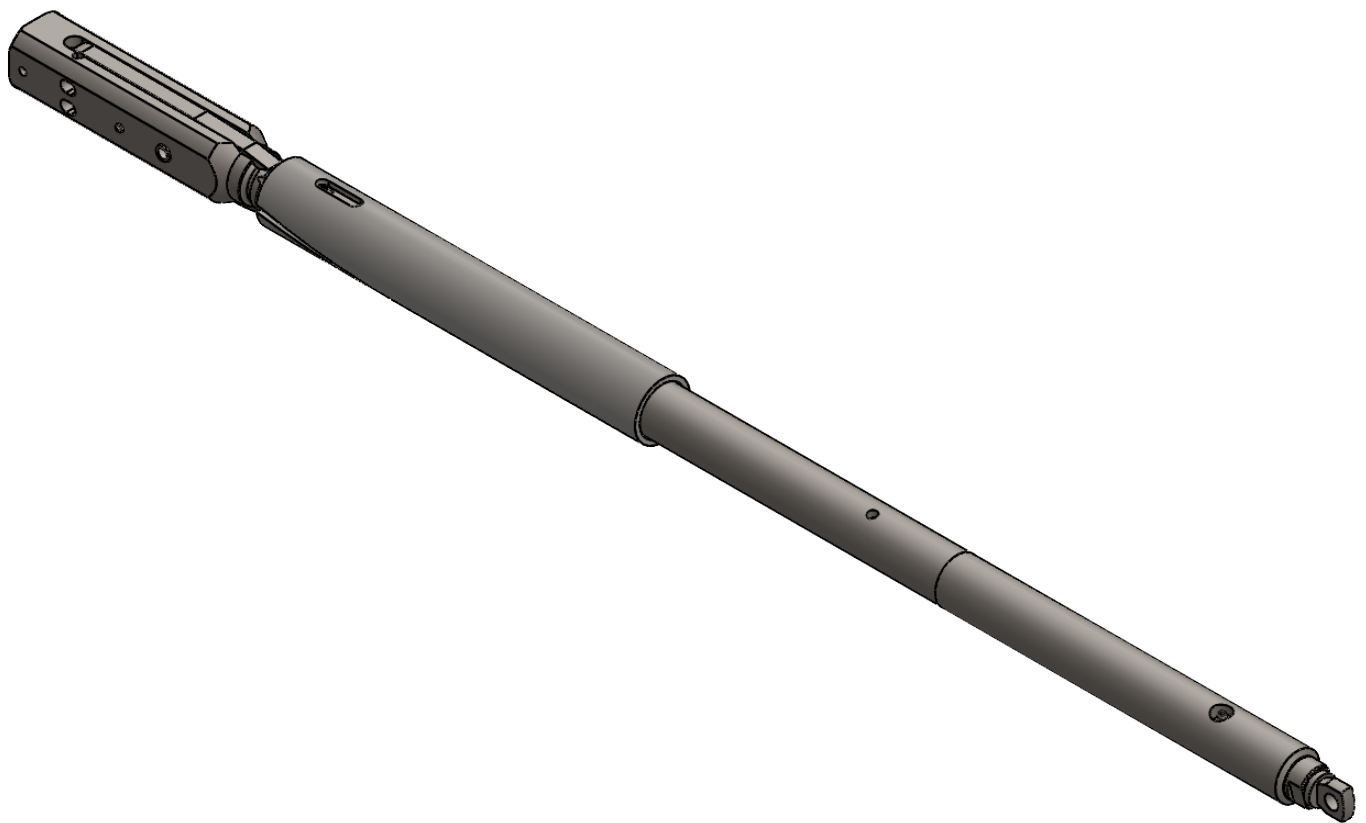


***ALOS-00-N - Over Shot N***



(62) 3877-1485

(62) 98190-1400

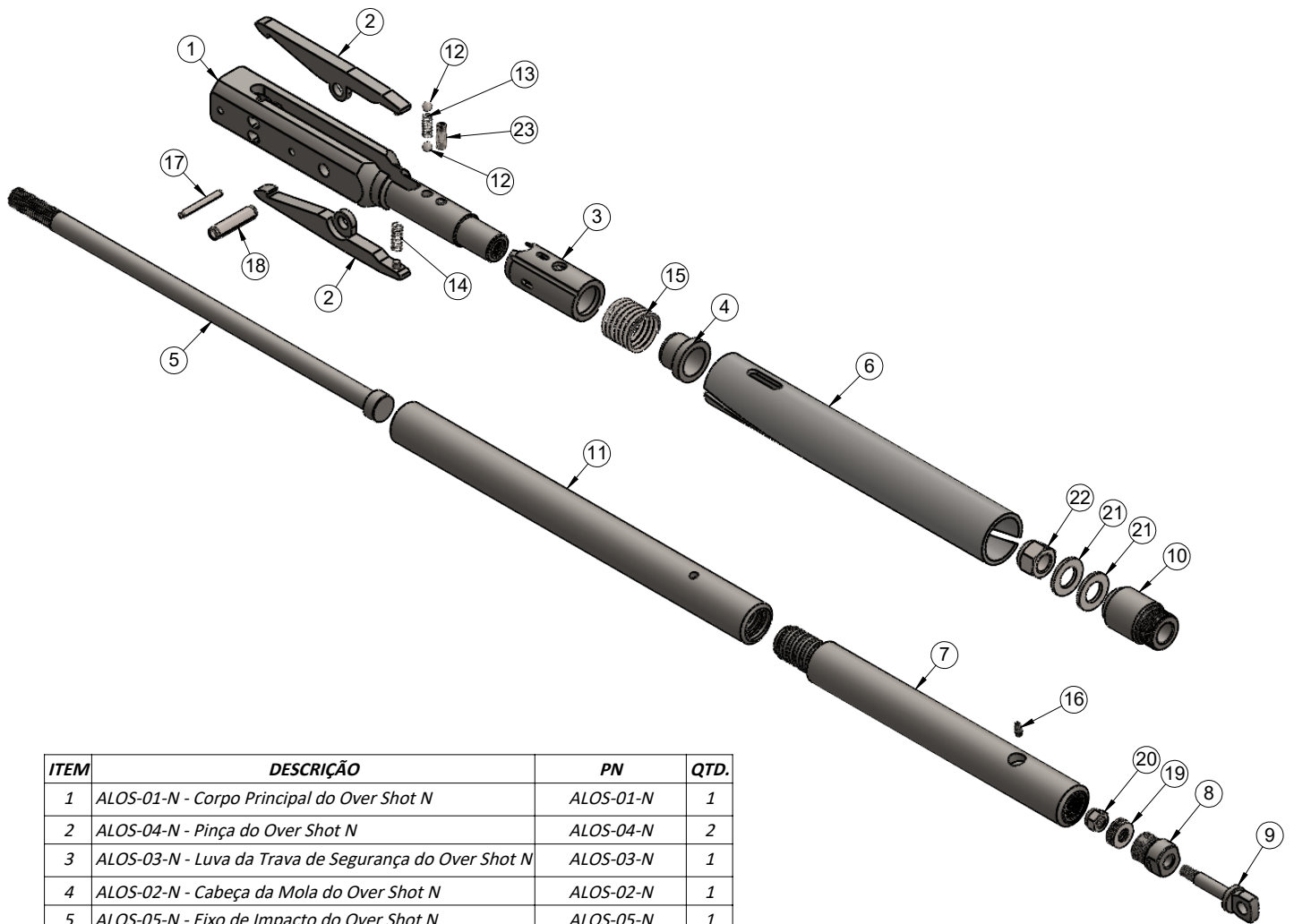
(62) 98118-1940

 [Sondagyn.comercial01@gmail.com](mailto:Sondagyn.comercial01@gmail.com)



Rua FL-01Qd.06 Lt.05, 632 Parque das Flores - Goiânia-GO





ITEM	DESCRIÇÃO	PN	QTD.
1	ALOS-01-N - Corpo Principal do Over Shot N	ALOS-01-N	1
2	ALOS-04-N - Pinça do Over Shot N	ALOS-04-N	2
3	ALOS-03-N - Luva da Trava de Segurança do Over Shot N	ALOS-03-N	1
4	ALOS-02-N - Cabeça da Mola do Over Shot N	ALOS-02-N	1
5	ALOS-05-N - Eixo de Impacto do Over Shot N	ALOS-05-N	1
6	ALOS-06-N - Destravador da Pinça do Over Shot N	ALOS-06-N	1
7	ALOS-08-N - Corpo da Ponta do Over Shot N	ALOS-08-N	1
8	ALOS-09 - Acento do Rolamento do Over Shot	ALOS-09	1
9	ALOS-10 - Pino com Olhal do Over Shot	ALOS-10	1
10	ALOS-14 - Tampa do Tubo de Impacto do Over Shot N	ALOS-14	1
11	ALOS-07-N - Tubo de Impacto do Over Shot N	ALOS-07-N	1
12	ESF-11-32"	ESF-11-32"	2
13	ALOS-15 - Mola $\varnothing 9 \times 23 \times \varnothing 1 \times P.3mm$	ALOSN-16	1
14	ALOS-16 - Mola $\varnothing 10 \times 28 \times \varnothing 1,25 \times P.4mm$	ALOSN-17	1
15	ALOS-17 - Mola $\varnothing 34 \times 35 \times \varnothing 3 \times P.5,5mm$	ALOSN-18	1
16	BGR- $\varnothing 1-4''-28FPP$	BGR- $\varnothing 1-4''$	1
17	PEL-1-4"x2"	PEL-1-4"x2"	1
18	PEL-1-2"x2"	PEL-1-2"x2"	1
19	ROL-51101	ROL-51101	1
20	PSA-7-16''-UNF	PSA-7-16''-UNF	1
21	AL-3-4"	AL-3-4"	2
22	PSA-3-4''-UNC	PSA-3-4''-UNC	1
23	PASC-3-8''x1''-UNF	PASC-3-8''x1''-UNF	1

(62) 3877-1485

(62) 98190-1400

(62) 98118-1940

 [Sondagyn.comercial01@gmail.com](mailto:Sondagyn.comercial01@gmail.com)



Rua FL-01Qd.06 Lt.05, 632 Parque das Flores - Goiânia-GO