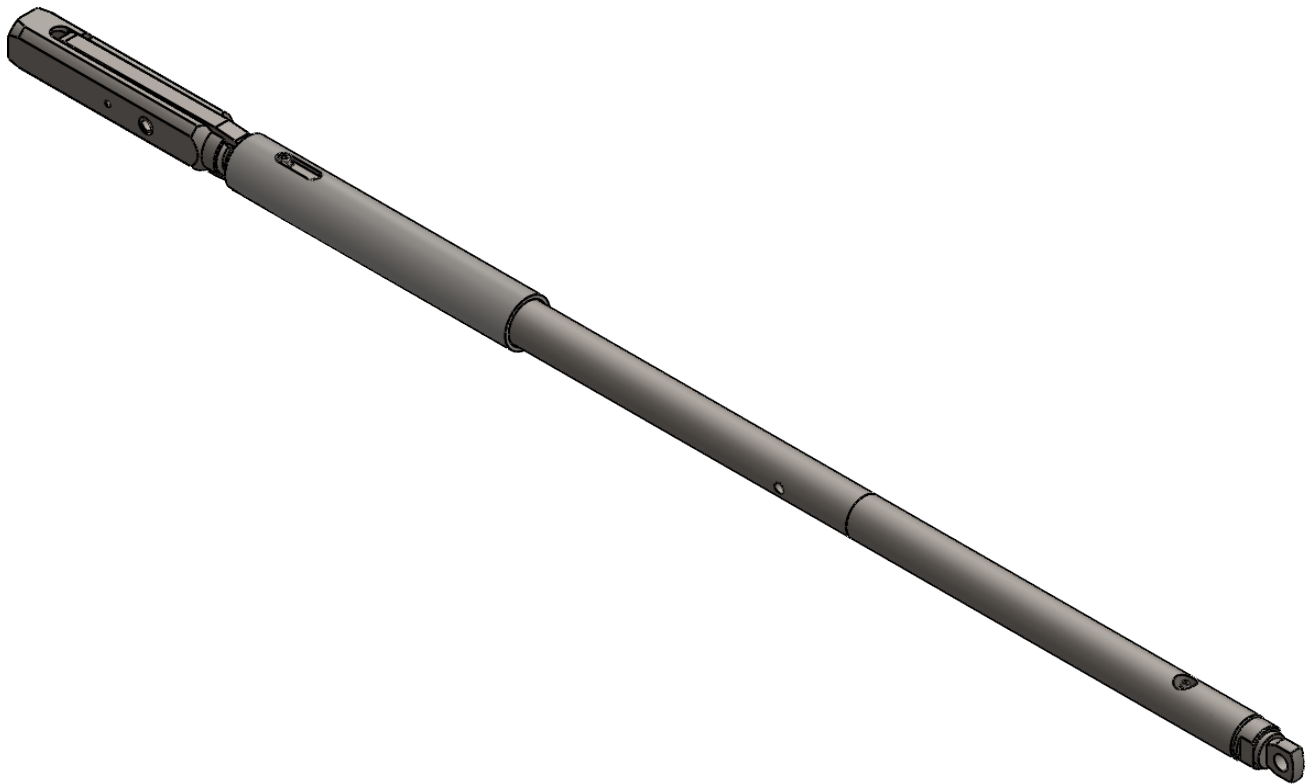
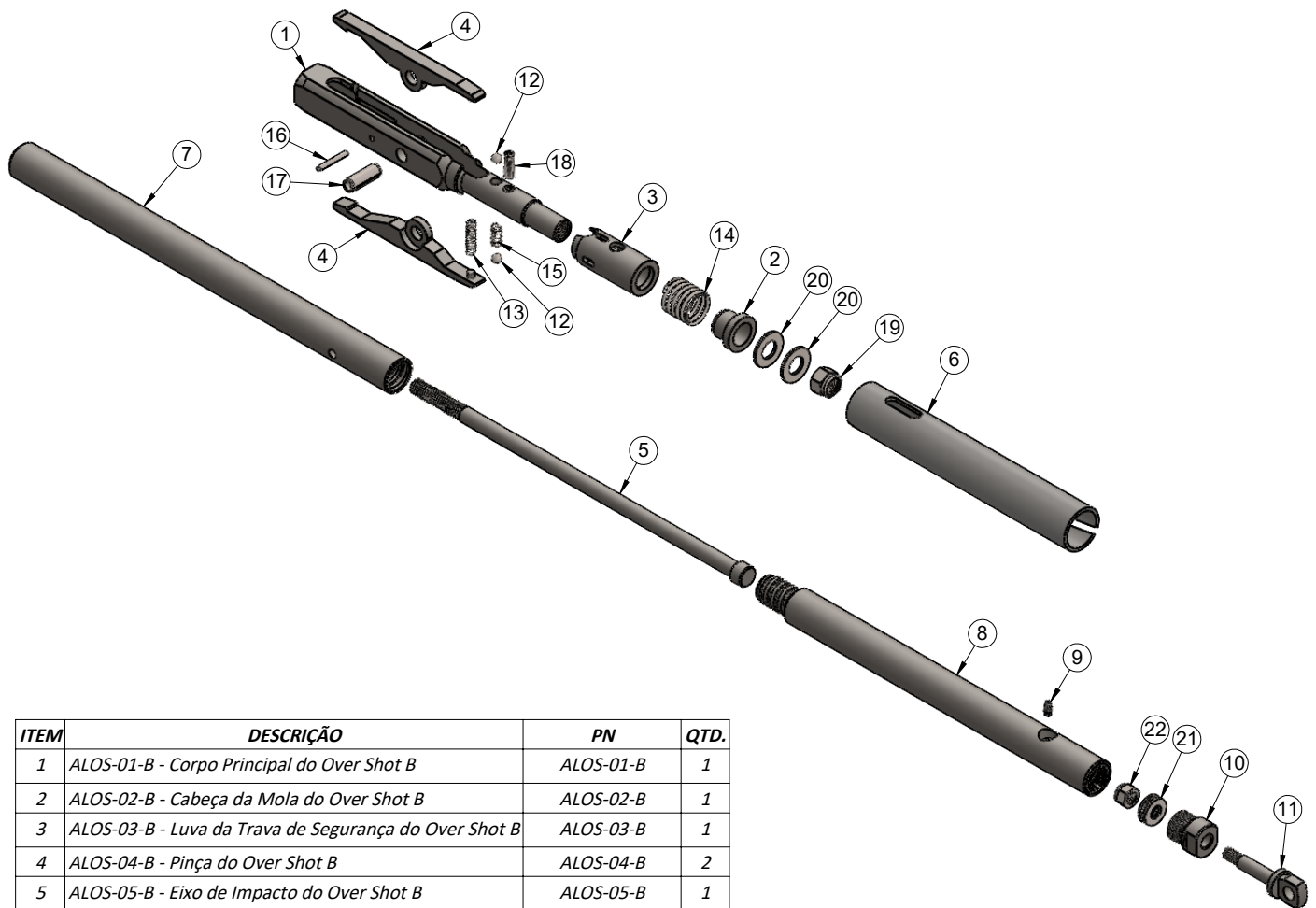


ALOS-00-B - Over Shot B





| ITEM | DESCRIÇÃO | PN | QTD. |
|------|---|------------------|------|
| 1 | ALOS-01-B - Corpo Principal do Over Shot B | ALOS-01-B | 1 |
| 2 | ALOS-02-B - Cabeça da Mola do Over Shot B | ALOS-02-B | 1 |
| 3 | ALOS-03-B - Luva da Trava de Segurança do Over Shot B | ALOS-03-B | 1 |
| 4 | ALOS-04-B - Pinça do Over Shot B | ALOS-04-B | 2 |
| 5 | ALOS-05-B - Eixo de Impacto do Over Shot B | ALOS-05-B | 1 |
| 6 | ALOS-06-B - Destravador da Pinça do Over Shot B | ALOS-06-B | 1 |
| 7 | ALOS-07-B - Tubo de Impacto do Over Shot B | ALOS-07-B | 1 |
| 8 | ALOS-08-B - Corpo da Ponta do Over Shot B | ALOS-08-B | 1 |
| 9 | BGR-Ø1-4"-28FPP | BGR-Ø1-4" | 1 |
| 10 | ALOS-09 - Acento do Rolamento do Over Shot | ALOS-09 | 1 |
| 11 | ALOS-10 - Pino com Olhal do Over Shot | ALOS-10 | 1 |
| 12 | ESF-11-32" | ESF-11-32" | 2 |
| 13 | ALOS-11 - Mola Ø9 x 32 x Ø1 x P.3mm | ALOSN-16 | 1 |
| 14 | ALOS-12 - Mola Ø31,5 x 32 x Ø2,75 x P.5,5mm | ALOSN-18 | 1 |
| 15 | ALOS-13 - Mola Ø9,5 x 20 x Ø1,25 x 4mm | ALOSN-17 | 1 |
| 16 | PEL-3-16"x35 | PEL-3-16"x35 | 1 |
| 17 | PEL-1-2"x35 | PEL-1-2"x35 | 1 |
| 18 | PASC-3-8"x1"-UNF | PASC-3-8"x1"-UNF | 1 |
| 19 | PSA-9-16"-UNC | PSA-9-16"-UNC | 1 |
| 20 | AL-5-8" | AL-5-8" | 2 |
| 21 | ROL-51101 | ROL-51101 | 1 |
| 22 | PSA-7-16"-UNF | PSA-7-16"-UNF | 1 |



(62) 3877-1485
 (62) 98190-1400
 (62) 98118-1940



Sondagyn.comercial01@gmail.com



Rua FL-01Qd.06 Lt.05, 632 Parque das Flores - Goiânia-GO